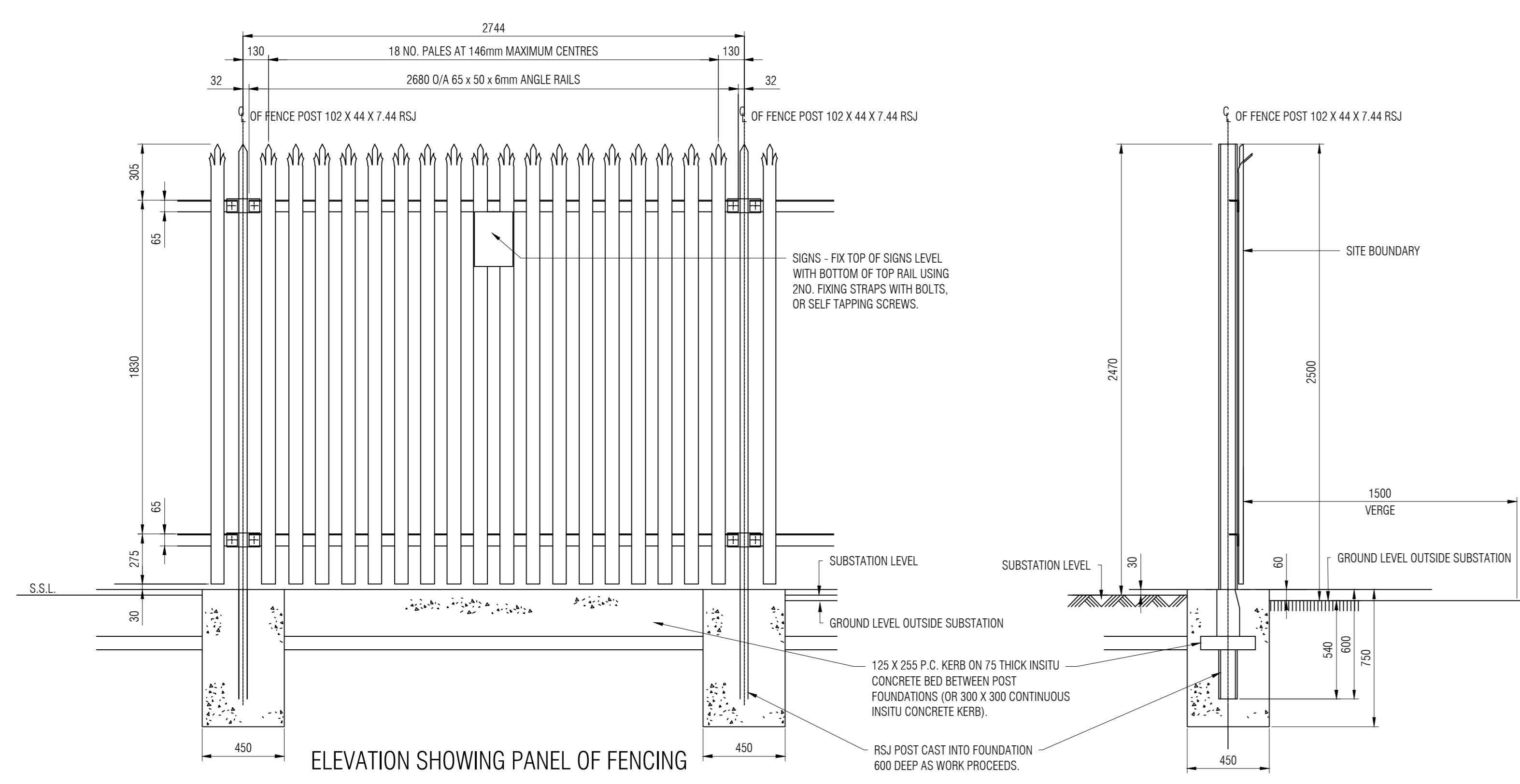
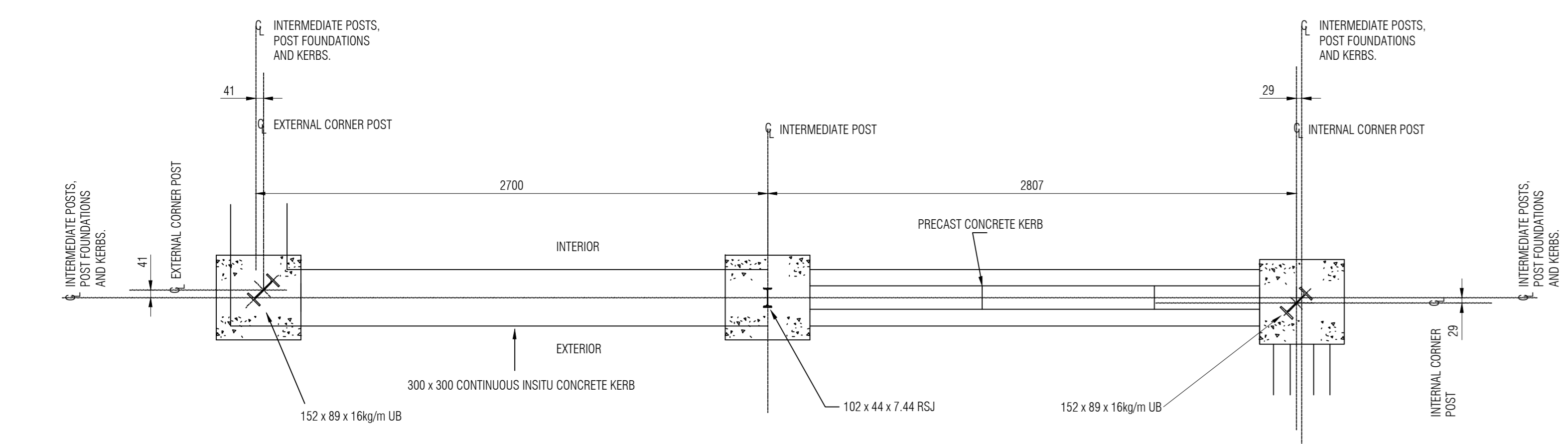
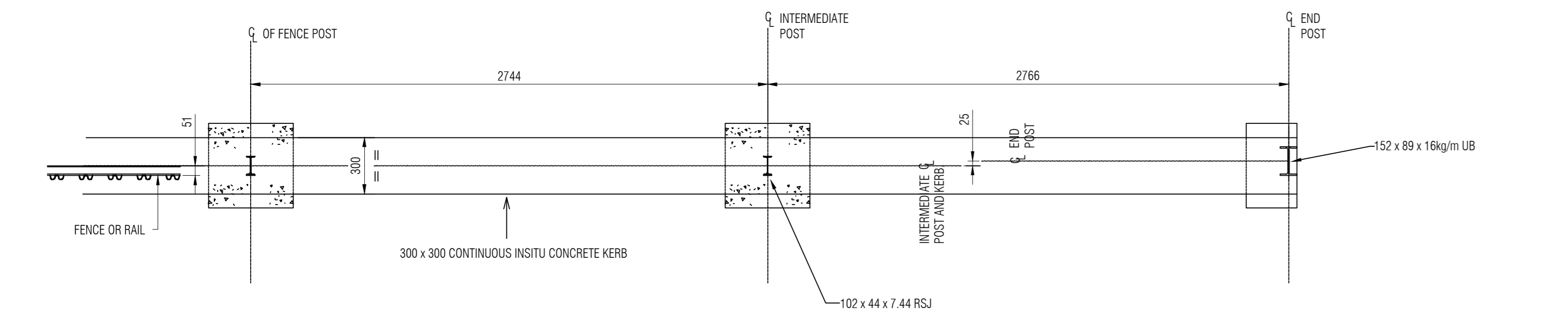
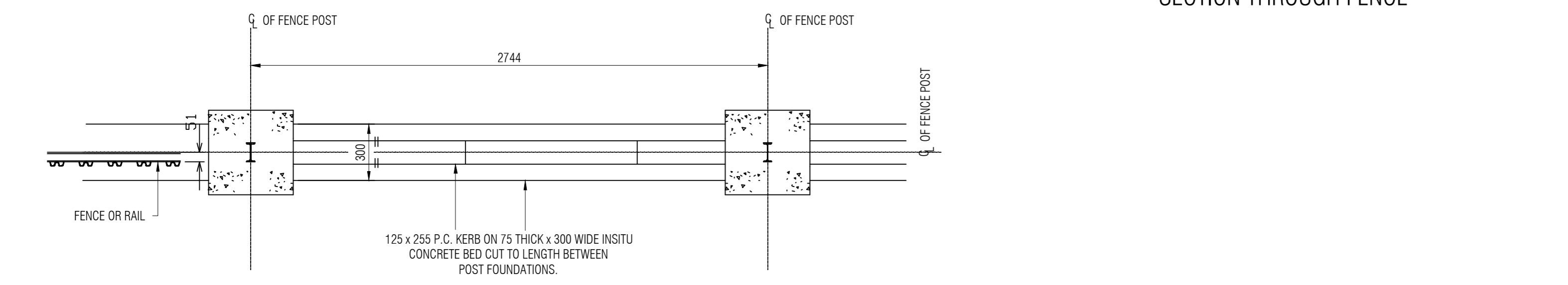


NOTES:

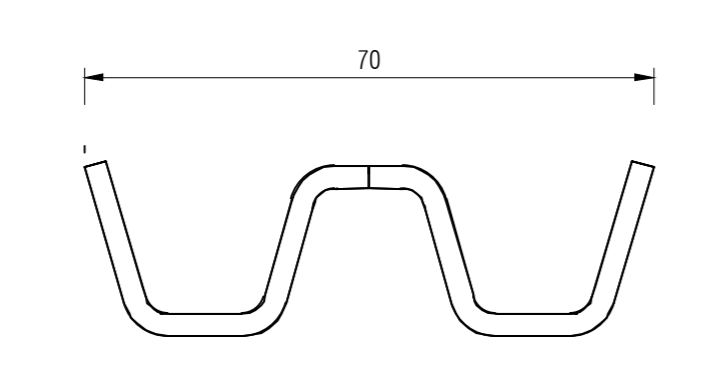
1. READ THIS DRAWING IN CONJUNCTION WITH PALISADE FENCE SPECIFICATION
2. ORDINARY PORTLAND CEMENT TO BS 12 UNLESS OTHERWISE INSTRUCTED & TO A MIX OF C80 USING 20MM AGGREGATE
3. ALL COMPONENTS OF THE PALISADE TO BE GALVANISED TO BS 729 BEFORE ASSEMBLY
4. DAMAGED GALVANISING ON BOLT HEADS & THREADS TO BE WIRE BRUSHED & MADE GOOD WITH APPROVED ZINC RICH PAINT
5. PALISADE PANELS PERMIT ARTICULATION WITHOUT MODIFICATION TO ACCOMMODATE SLOPING SITES TO 1 IN 10 MAX. GRADIENT. WHEN GRADIENTS ARE IN EXCESS OF 1 IN 10 SPECIAL PANELS WILL BE REQUIRED TO MAINTAIN 2744MM STANDARD CENTRES & MINIMUM STATUTORY HEIGHT
6. FOR GRADIENTS IN EXCESS OF 1 IN 6 OVER MORE THAN TWO PANELS THE 65 X 50 X 6MM ANGLE RAIL SHALL BE REPLACED BY A 75 X 50 X 6MM ANGLE RAIL TO REDUCE DEFLECTION & THE ANCHORING OF FENCE STANDARDS AGAINST THRUST SHALL RECEIVE SPECIAL CONSIDERATION
7. MAXIMUM PERMISSIBLE SPACE BETWEEN ADJACENT PANELS OR UPRIGHTS OF ANY FENCE PANEL IS 10MM
8. SAFETY WARNING- THE FENCE PANELS ARE DESIGNED TO ARTICULATE THEREFORE WHEN HANDLING PRECAUTIONS SHOULD BE TAKEN TO AVOID TRAPPING OF FINGERS BETWEEN PANELS
9. CABLE TRENCHES, CULVERTS & DITCHES UNDER PALISADE MUST BE SECURED TO PREVENT ACCESS
10. MATERIALS:
 - 10.1. POST TO BS 4 PART 1 & BS EN10 025 GRADE S275
 - 10.2. PALES TO BS 488 PART 4 & BS EN10 025 GRADE S275
 - 10.3. RAILS NOT ROLLED STRIP TO BS EN10 130 COLD FORMED TO BS EN10 130
 - 10.4. BOLTS & NUTS HEXAGONAL TO BS 4380 CUP & CONE/STUNK TO BS 4933 BOLT GRADE 6. NUTS PERMACONE SHEAR NUTS TO BS 4320 TABLE 3 UNLESS OTHERWISE STATED.
 - 10.5. PLAIN WASHER GALVANISED OR T-HEADED BOLTS WITH PERMACONE SHEAR BOLTS
 - 10.6. PALE FIXING GALVANISED OR T-HEADED BOLTS WITH PERMACONE SHEAR BOLTS
11. ALL WELDS TO BE 50MM LEG LENGTH IN ACCORDANCE WITH BS 5135
12. FOR PRACTICAL PURPOSES THE PANEL OF PALISADE PRODUCED TO THIS METRIC DRAWING IS INTERCHANGEABLE WITH PALISADE PANELS PRODUCED TO IMPERIAL DRAWING IS SUPPLIED BY SCOTTISH AND SOUTHERN ELECTRICITY NETWORKS
13. SIGNS (SUPPLIED BY SCOTTISH AND SOUTHERN ELECTRICITY NETWORKS):
 - 13.1. DANGER OF DEATH - 1 NO. ON EVERY 3RD PANEL. AT LEAST ONE NOTICE ON EVERY ELEVATION AND 1 NO. ON EVERY GATE LEAF
 - 13.2. EMERGENCY TELEPHONE NO. - 1 NO. ON EVERY GATE
 - 13.3. HAZARD SIGN - 1 NO. ON EVERY GATE. (NOT SUPPLIED BY S.E. NED)
 - 13.4. RAZOR WIRE (WHERE FITTED) - 1 NO. ON EVERY 6TH PANEL. AT LEAST ONE NOTICE ON EVERY ELEVATION AND 1 NO. ON EVERY GATE
14. PALISADE FENCE SHALL BE GREY IN COLOUR.



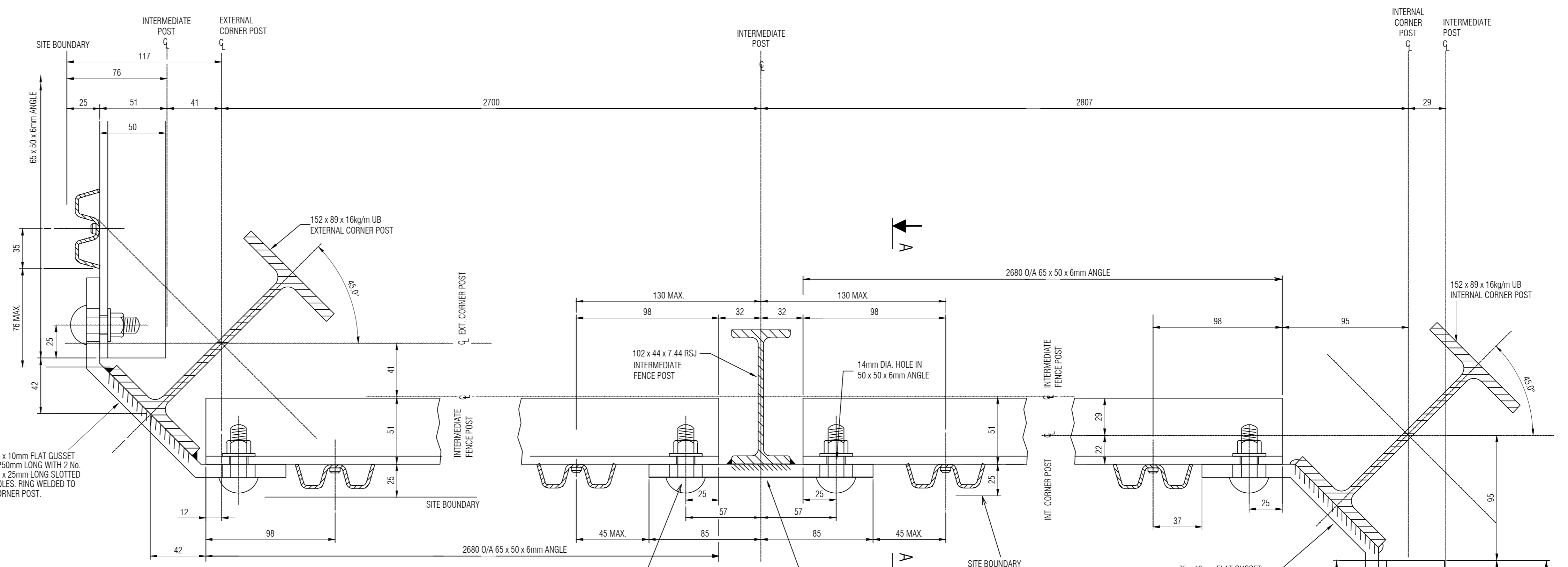
SECTION THROUGH FENCE



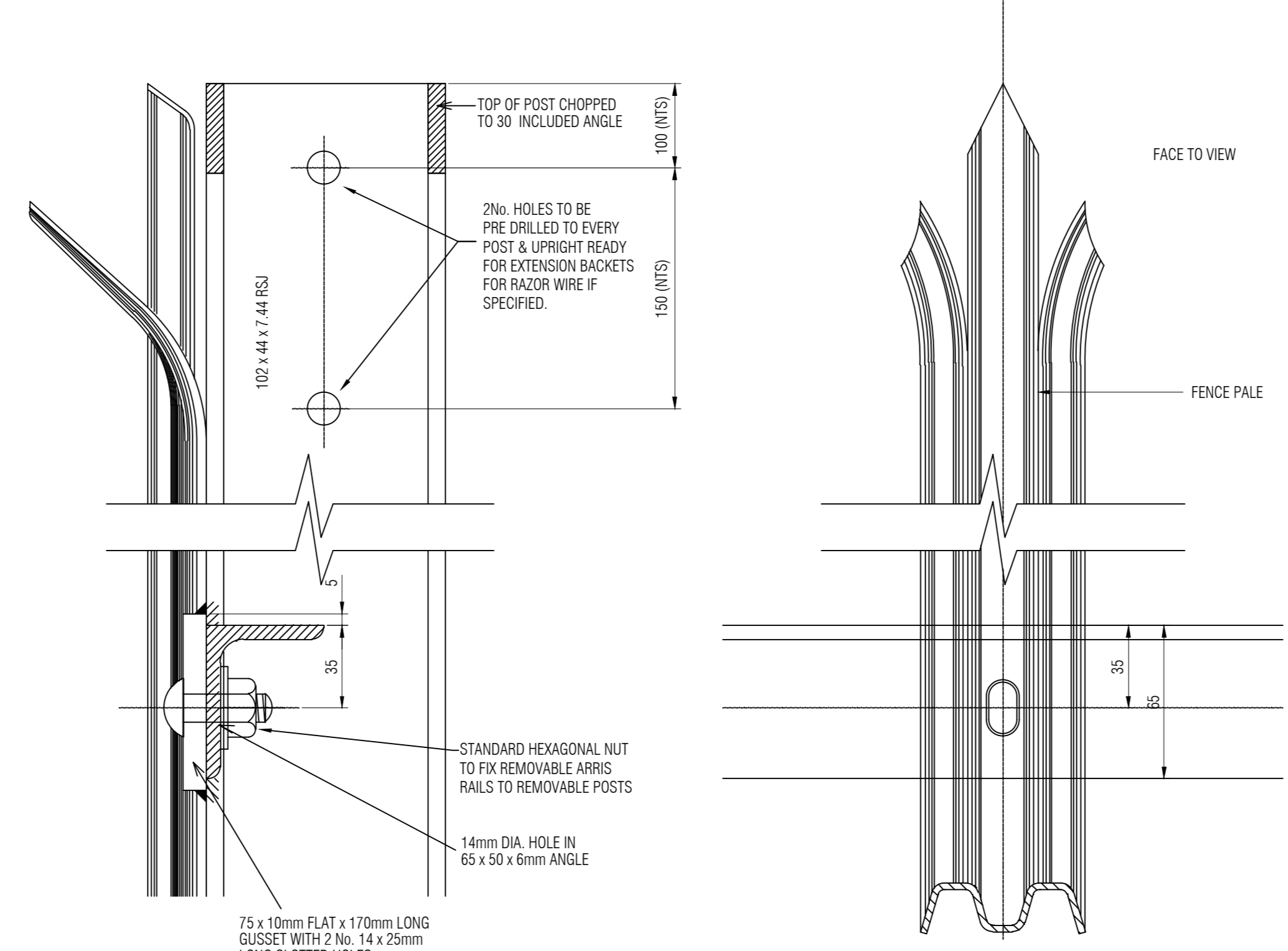
DETAILS OF FOUNDATIONS



PROFILE OF APPROVED PALE

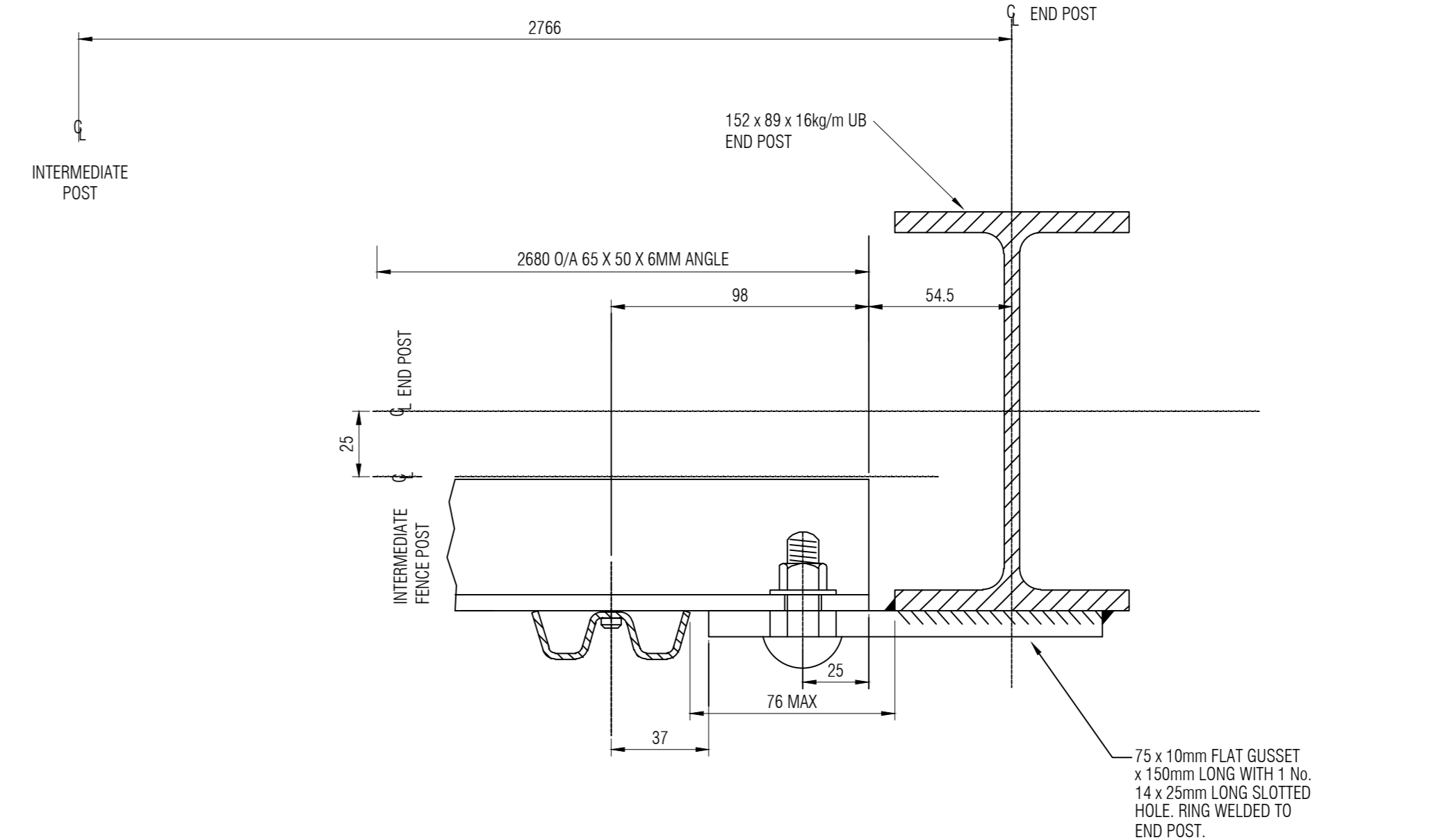


DETAILS OF PALISADE INTERMEDIATE AND CORNER POSTS

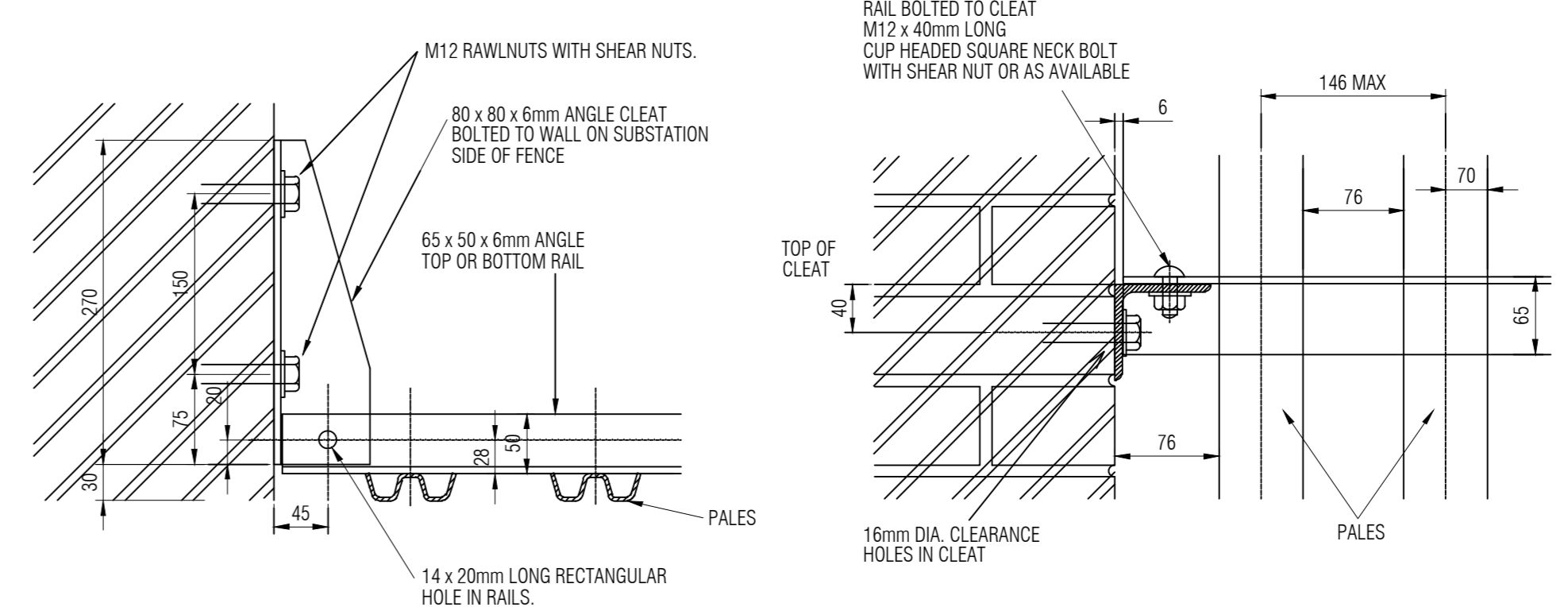
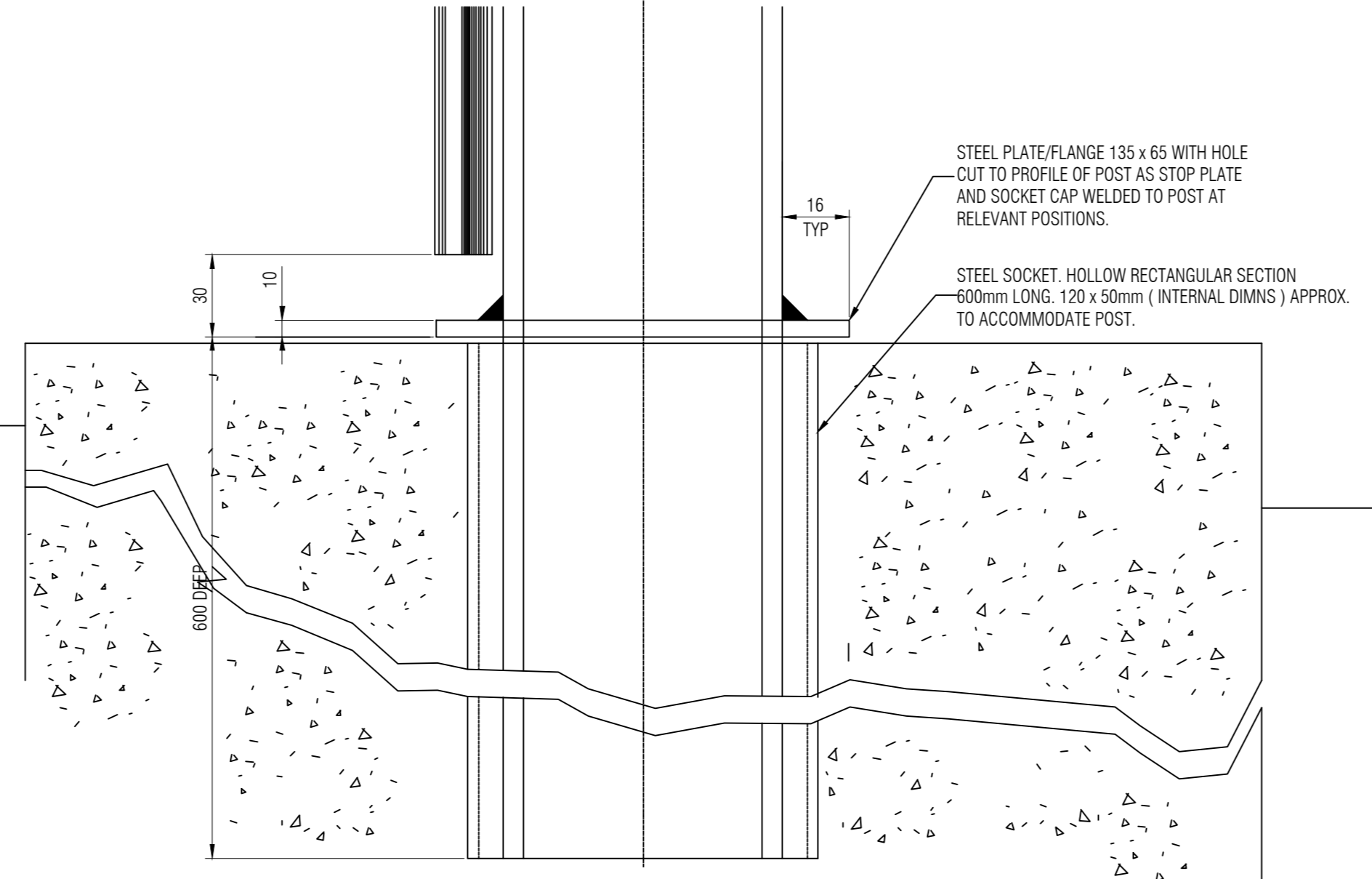


SECTION 'A' - 'A'

FRONT VIEW OF 'W' PROFILE



DETAILS OF PALISADE END POST



ALTERNATIVE DETAIL OF FIXING TO MASONRY

Rev:	Drawn:	Approved:	Description:
00	DM	DM	APPROVED FOR FIRST ISSUE
	Checked:	Date:	
	BM	16.12.19	
SSE Investment House, 200 Dundas Road, Perth, Perth BA2, UK. www.ssn.com			
Project: ST. FERGIUS GAS TRANSFORMER REPLACEMENT			
Project Number: L7000197		Location: ST. FERGIUS	
Title: SECTION 37 - ST FERGIUS 132/11KV SUBSTATION 2.5m HIGH SECURITY PALISADE FENCING FOR CSE COMPOUND FENCING DETAILS (STANDARD 3 SPECIFICATION)			
Drawing Number: FOR S37 APPLICATION		Drawn: DMR	
Scale: NTS @ A0		Checked: DM	
Date: OF FIRST ISSUE: 16.12.2019		Approved: DM	
Drawing Number: L1197-SFEG-0804_0006		Sheet No: 00	